

Digital Theodolite



Fully equipped

- 2" accuracy
- Compensator
- Laser plummet



Easy to operate

- Large 2 face display with back-lit
- Large glove proof buttons
- Intuitive onboard software

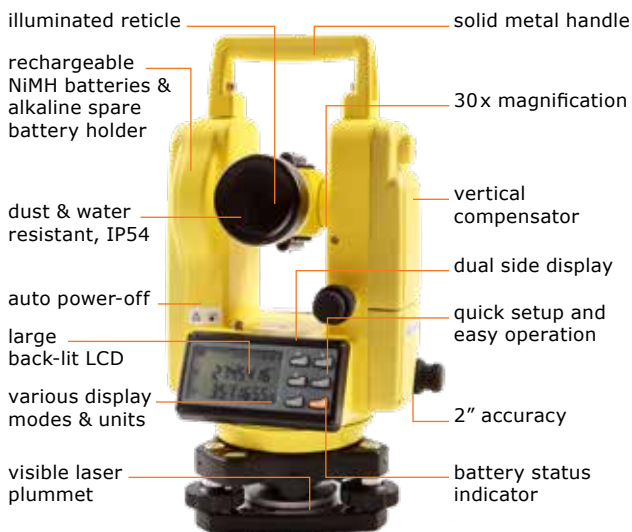


Rough & tough

- Dust and water resistant
- -20°C to 50°C
- 36 hours operating time

Zipp02

Closing the gap, Zipp02: For all your general construction tasks requiring accurate angle measurement. Affordable, easy to use, flexible – simply “Works when you do”.



Zipp02 - Closing the gap

With vertical compensation and 2" accuracy the Zipp02 provides you with the precision required for your most demanding jobs for an affordable price without adding complexity. Various display modes, hold and set zero for horizontal angle, a variation of measurement units, simple distance measurement via stadia lines make an easy operation with only six keys.

Visible laser plummet enables you to set up over a point faster and easier than ever. The Zipp02 is the tool of your choice when it comes to checking angles, alignments, grade work and short range levelling.

ANGLE MEASUREMENTS (HZ, V)

Precision	2"
Display resolution	1" or 5"
Display units	DEG (360° 00' 00"), GON (400), MIL (6400), V / %

COMPENSATOR

System	Automatic vertical compensator, User set On/Off
Working range	± 3'

TELESCOPE

Magnification	30x
Objective aperture	45 mm (1.7 in)
Minimum focusing distance	1.35 m (4.43 ft)
Stadia multiplication factor/constant	100/0

Laser plummet: Laser class 1 in accordance with IEC 60825-1 resp. EN 60825-1

LASER PLUMMET

Type	Visible laser point
Accuracy	1.5 mm at 1.5 m instrument height

ENVIRONMENTAL CONDITIONS

Operating temperature	-20° C ~ +50° C
Protection to dust and water	dust and water resistant, IP54

WEIGHT

Weight including battery and tribrach	4.5 kg (9.9 lb)
---------------------------------------	-----------------

BATTERY / POWER MANAGEMENT

Type of battery	Rechargeable NiMH, replacement alkaline battery pack
Operation period without laser plummet	36h



08/18 783256 en Copyright GeoMax AG.

Illustrations, descriptions and technical specifications are not binding and may change. All trademarks and trade names are those of their respective owners.



Learn more at:
geomax-positioning.com



GEOMAX AUTHORISED DISTRIBUTION PARTNER